




Dear Valued Client,

Please find enclosed the 2017-2018 postage offers. For a fourth year running we have been able to negotiate great deals from NZ Post and Post Haste. For a second year we are also able to offer you a third option for Bulk Mail customers with our partner NZ Mail.

- 1 Envelopes & Small Mailers** (Both providers allow PO Boxes & Private Bags)  
**NZ Post** - nationwide at standard postal rates  
**NZ Mail** - This is for Bulk Mail nationwide (see page 2 for details of this offer)

ENVELOPES AND SMALL MAILERS	OPTION A 	OPTION B 	OPTION C 
<b>NZ Post</b> standard postal rates	\$1.00	\$2.00	\$3.00
<b>NZ Mail - Bulk Mail option</b> 300 without statement of Accuracy	\$0.94	\$1.50	\$1.80
<b>NZ Mail - Bulk Mail option</b> 500 with statement of Accuracy	\$0.59	\$0.89	\$1.10

- 2 Tubes**  
**NZ Post** - nationwide @ \$4.00 - (include PO Boxes & Private Bags)  
**Post Haste** - "local link" from \$3.75 (only deliver to street addresses not PO boxes or Private Bags)

- 3 Presentation Boxes and Large Mailers**  
**Post Haste** has the best rates this year with inter-island at the rate of \$4.85 and same island at the rate of \$4.45

To take advantage of these special rates, simply complete one of the applicable forms attached and send as per instructed. If you would like to discuss any of these options in more detail, please contact our Client Service team on 0800 22 53 63.

Kind regards,



Piers Gascoine  
**NATIONAL SALES MANAGER**



0800 22 53 63



4 Carr Road, Mount Roskill, Auckland  
 PO Box 1955, Shortland St, Auckland 1140



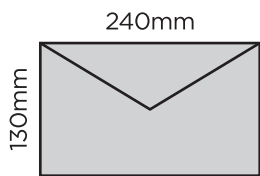
easy2C.co.nz  
 enquiries@easy2C.co.nz

# POSTAGE & COURIER RATES 2017

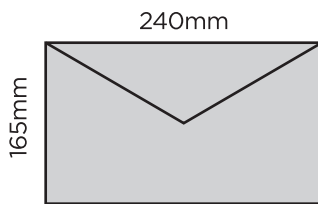
The following are the most cost effective method for our calendar products.  
Match the option letter and colour to suit your calendar product on page 3

## 1 ENVELOPES & SMALL MAILERS

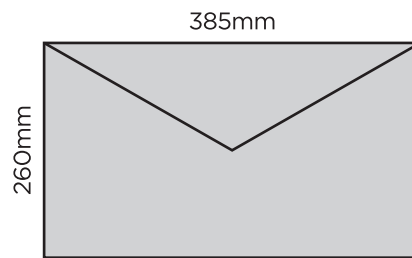
Go directly to NEW ZEALAND POST



**OPTION A** ■  
\$1.00



**OPTION B** ■  
\$2.00



**OPTION C** ■  
\$3.00

## 2 TUBES

up to 235mm



**OPTION D** ■

up to 450mm



**OPTION E** ■

<b>Nationwide OPTION D</b> ■	Use the <b>easy2C order form</b> Ticket Code <b>PKTDLE</b> Books of 20 at <b>\$1.80</b> each (NZPOST)
<b>Nationwide OPTION E</b> ■	Use the <b>easy2C order form</b> Ticket Code <b>PKT3FS</b> Books of 20 at <b>\$4.00</b> each (NZPOST)
<b>Local Link</b>	Use the <b>easy2C order form</b> Ticket Code <b>MS*</b> Books of 10 at <b>\$3.90</b> each (POST HASTE)

## 3 PRESENTATION BOXES AND LARGE MAILERS

over 385mm



**OPTION F** ■

<b>Local Link Book of 30</b>	Use the <b>Poste Haste order form</b> Ticket Code <b>MS*</b> Books of 30 at <b>\$3.75</b> each (POST HASTE)
<b>Rural Delivery Additional Ticket</b>	Use the <b>Poste Haste order form</b> Ticket Code <b>RZ*</b> Books of 10 at <b>\$5.95</b> each (POST HASTE)
<b>Rural Delivery Additional Ticket</b>	Use the <b>Poste Haste order form</b> Ticket Code <b>RZ*</b> Books of 30 at <b>\$5.80</b> each (POST HASTE)
<b>Within Island Book of 10</b>	Use the <b>easy2C order form</b> Ticket Code <b>SG*</b> Books of 10 at <b>\$4.60</b> each (POST HASTE)
<b>Within Island Book of 50</b>	Use the <b>Poste Haste order form</b> Ticket Code <b>SG*</b> Books of 50 at <b>\$4.45</b> each (POST HASTE)
<b>Inter Island Book of 10</b>	Use the <b>easy2C order form</b> Ticket Code <b>SB*</b> Books of 10 at <b>\$5.00</b> each (POST HASTE)
<b>Inter Island Book of 50</b>	Use the <b>Poste Haste order form</b> Ticket Code <b>SB*</b> Books of 50 at <b>\$4.85</b> each (POST HASTE)

NOTE:

- All Rates Quoted as at October 2017 are in \$NZ and include GST
- easy2C minimum purchase required is 2 books of tickets.
- Post Haste do not deliver to PO Boxes or Private Bags.
- Post Haste Within Island and Inter Island need a second ticket if being delivered to a rural address.

\* Includes a Fuel Adjustment Factor of 5%, this may fluctuate. Please be aware that easy2C have negotiated all rates quoted in good faith but have no control over changes that may occur after October 2017, and may be subject to change without notice. If you find a cheaper method we encourage you to use it or combine it with products from either New Zealand Post or Post Haste.

1

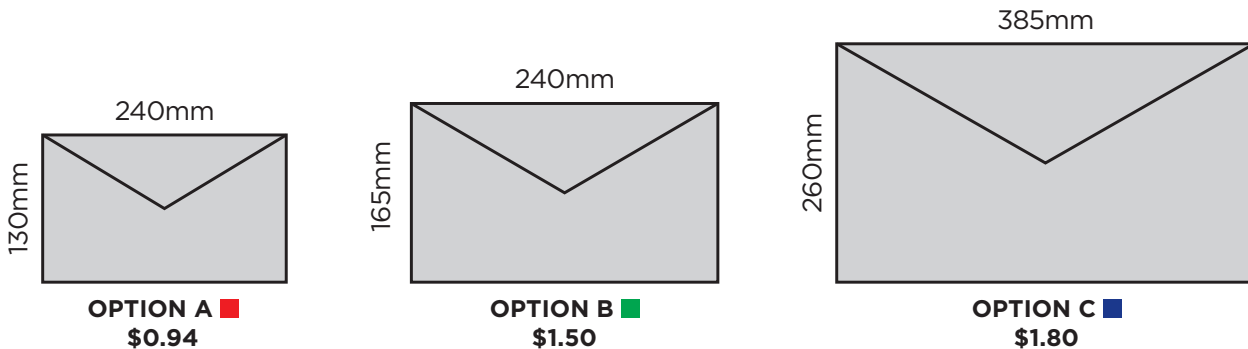
# BULK MAIL OPTIONS (POSTAGE ONLY)

Please contact NZ Mail directly on the details below for this offer.

To receive this special bulk mail rate you will need to provide NZ Mail your mail-out address database, additionally if your database meets the "statement of accuracy" criteria then a further discount applies.

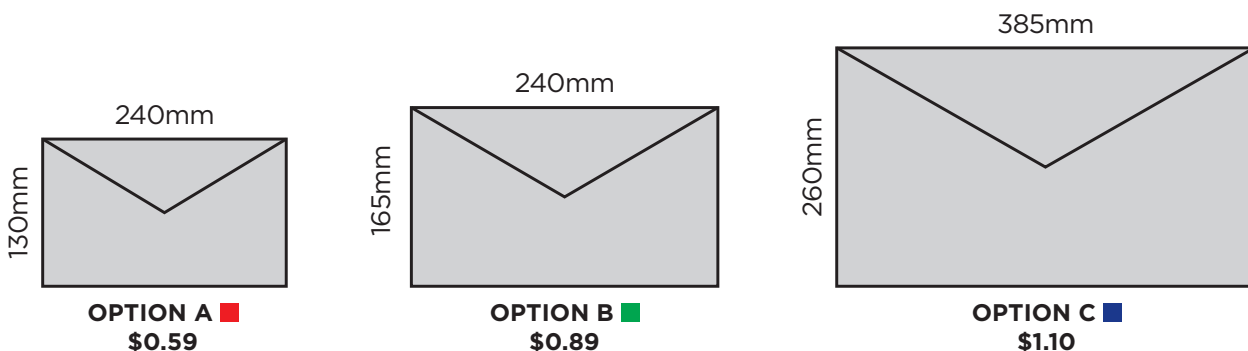
## 300 items without Statement of Accuracy

20mm thickness, Maximum 1kg



## 500 items with Statement of Accuracy

20mm thickness, Maximum 1kg



For further information on Statement of Accuracy Scan QR code or go to: <http://bit.ly/2bUlg7j>



To utilise these Bulk Mail rates please contact nz mail directly via

**NZ MAIL**  
Free phone: 0800 469 624  
Email: [service@g3group.co.nz](mailto:service@g3group.co.nz)  
[www.nzmail.co.nz](http://www.nzmail.co.nz)

NZ Mail can assist you to gain SOA compliance and enjoy greater savings call David Allan for more details:

**DAVID ALLAN**  
Phone: 09 306 6391  
Mobile: 021 712 416  
Email: [david.allan@nzmail.co.nz](mailto:david.allan@nzmail.co.nz)

The coloured square corresponds to the available mailing options for the calendar.

PACK OPTION	CALENDAR TITLE	PACK OPTION	CALENDAR TITLE	PACK OPTION	CALENDAR TITLE
■ B	Art Desk	■ C	Face of New Zealand	■ F	NZ Wide Open Spaces - Wall
■ C	Art of Richard Smith - Booklet	■ C	Farmers Market	■ C	NZ Wide Open Spaces - Desk
■ C	Art of Richard Smith - Desk	■ F	Focus - Wall	■ E	Off Road
■ F	Art of Richard Smith - Wall	■ C	Focus - Desk	■ C	Our New Zealand
■ F	Art of Carol Readman - Wall	■ F	Forces of Nature - Wall	■ E	Pampurred Pets
■ C	Art of Carol Readman - Booklet	■ C	Forces of Nature - Desk	■ A	Pictorial Desk
■ B	Australasia Desk	■ E	Forgotten Dreams	■ F	Point of View
■ E	Bare Essentials	■ D	Gallery of Birds	■ E	Power & Glory
■ D	Bird Scroll	■ A	Garden Estates Desk	■ C	Redi Reference
■ E	Body Language	■ E	Garden Glory	■ C	Reel Action - Booklet
■ C	Born to Fish	■ C	Garden Sanctuaries - Booklet	■ B	Reel Action - Desk
■ B	Business Card Desk	■ B	Garden Sanctuaries - Desk	■ E	Scenic NZ
■ E	Carnage	■ E	Glamour Girls	■ F	Secluded Places
■ E	Classic Hanger Calendars	■ F	Grandeur	■ F	Seclusion
■ E	Classic Shopper	■ E	Heavenly bodies	■ C	Shipping Calendars
■ C	Coastlines of the World	■ E	House & Garden	■ A	Shopping Lists
■ E	Colourful NZ - Wall	■ E	Images of the Past	■ F	Six Degrees of Separation
■ B	Colourful NZ - Desk	■ C	Inspirations	■ C	Slim Planner
■ E	Commercial	■ C	Jocks Country Life - Booklet	■ C	Splendour of New Zealand
■ E	Connections	■ B	Jocks Country Life - Desk	■ C	Sugar & Spice
■ F	Conservation	■ E	Jumbo Hangers	■ E	Supercars
■ E	Cover Girls	■ E	Kiwi Expressions	■ C	The Pioneers
■ C	Custom Classics - Booklet	■ F	Land & Light	■ F	Those Yesteryears
■ B	Custom Classics - Desk	■ C	Looking at New Zealand	■ E	Tradies
■ E	Custom Classics - Wall	■ E	Loo with a View	■ C	Tranquil Moments - Booklet
■ B	Custom Desk	■ F	Moments in Time - Mailer	■ B	Tranquil Moments - Desk
■ C	Custom Desk/Wall	■ E	Moments in Time - Tube	■ F	Tranquillity - Wall, Mailer
■ E	Custom Poster	■ E	Murphy's Law	■ E	Tranquillity - Wall, Tube
■ D	Custom Scroll	■ E	Native NZ	■ C	Tranquillity - Desk
■ F	Discover the World	■ F	Natural Beauty	■ B	Underwater Paradise
■ E	Dish of the Day	■ E	Naturally NZ	■ F	Up All Night
■ E	Dream Machines	■ F	NZ Art Collection	■ E	Vista
■ E	Early Settlers	■ E	NZ Classic	■ E	Wall Planner
■ E	E'sE2c NZ Scenic	■ E	NZ Classic Butchers	■ D	Wildlife Scroll
■ F	Executive Traveller	■ A	NZ Greeting Desk	■ A	World Desk

Please send completed form with a cheque to:  
**easy2C P.O. Box 1955, Shortland Street, Auckland 1140**  
 or direct credit the amount to our ANZ Bank Account

**Account Name:** Easy2C Limited

**Account Number:** 06-0193-0696920-00

email the completed form to **enquiries@easy2C.co.nz**  
 or via **fax +64 9 625 3342**

Upon payment, this order form becomes a Tax Invoice.

**2** **3** COMPLETE THIS FORM IF USING  
 easy2C OPTION 2 OR 3

Account Number:	Date:
Account Name:	
Delivery Address:	
Suburb:	
City:	
Attention to:	Phone:

### ORDER DETAILS:

All tickets listed are supplied in books (minimum order 2 books) Please enter the number of BOOKS required  
 EXAMPLE if you'd like to receive 40 tickets, enter "2" in quantity column for books of 20

## NZ POST NATIONWIDE

Description	Product Code	\$ tickets	book of	Cost of Books (incl GST)	No of Books	\$ Total
DLE	PKTDLE	\$1.80	20	\$36.00		
FS	PKT3FS	\$4.00	20	\$80.00		
<b>TOTAL (includes GST @ 15%)</b>						\$

## POSTHASTE (Do Not Deliver to PO Boxes or Private Bags)

Description	Product Code	\$ tickets	book of	Cost of Books (incl GST)	No of Books	\$ Total
Local Link	MS-Local	\$3.90	10	\$39.00		
Within Island	SG-Zone 2	\$4.60	10	\$46.00		
Small Parcels Inter Island	SB-Zone 3	\$5.00	10	\$50.00		
<b>TOTAL (includes GST @ 15%)</b>						\$

### PLEASE NOTE:

- Orders received after 3:00pm may not be processed until the next working day.
- Please complete all fields on this page
- If you have not received your order within 5 working days, please call 0800 225 363
- This order form may only be used between 1 October 2017 and 31 January 2018.



0800 22 53 63



4 Carr Road, Mount Roskill, Auckland  
 PO Box 1955, Shortland St, Auckland 1140



easy2C.co.nz  
 enquiries@easy2C.co.nz



# CALENDAR GROUP PRICING SCHEME ORDER FORM

**2****3**

COMPLETE THIS FORM  
IF USING POST HASTE  
OPTION 2 OR 3

PLEASE NOTE:  
POSTE HASTE DO NOT DELIVER TO:  
PO BOXES OR PRIVATE BAGS

<b>Company Name:</b>	
<b>Contact Name:</b>	
<b>Contact Phone Number:</b>	

Pre-Paid Tickets	Sold in Books of	No. of Books Required	Value of order Inc. GST @15% provided by Post Haste Telesales
Local Link (MS) (0-3kg or 0.015m <sup>3</sup> )	30		\$
Within Island (SG) (0-3kgs or 0.015m <sup>3</sup> )	50		\$
Inter Island (SB) (0-3kgs or 0.015m <sup>3</sup> )	50		\$
Rural Delivery	10		\$

**Amount for payment with Cheque option see (2) below**

**POSTE HASTE DO NOT DELIVER TO PO BOXES OR PRIVATE BAGS**

Delivery Address:
Suburb:
City:

Purchase Order No:	Customers signature:
Date:	

### Ordering Procedure:

**PLEASE NOTE: TICKETS CANNOT BE ORDERED DIRECTLY THROUGH YOUR LOCAL BRANCH**

1. Please email your order directly to **melissa.hsieh@posthaste.co.nz** or alternatively call **09 525 2060** or **09 525 4060**, mention "Calendar Group - Pricing Scheme" rates.
2. One of the Post Haste telesales consultants will be in contact with you shortly to process your ticket order and confirm delivery details and value of the order.
3. Payment for tickets will be processed once credit card transaction has been received or alternatively you can send a cheque with your order form to **Melissa Hsieh Post Haste Couriers, 161 station Road, Auckland 2010**

**Items can be tracked via website: [www.posthaste.co.nz](http://www.posthaste.co.nz)**

Click on track and trace, under Ticket Product Code enter MS, SG or SB.

Tab to ticket number and enter your ticket number. Click on track my item, The details on your consignment will appear.

**If you have any difficulties please call Melissa on 09 525 2060 ext 8659**